

Industrial Enclosures



Small Enclosures SE1



AEAB is pleased to introduce a complete range of small enclosures and its accessories for all indoor and outdoor applications in any industry sector (automation industry, machine industry, electrical, civil industry, IT sector and many more.

Solution Partner

Automation

SIEMENS

AUTHORIZED SYSTEM HOUSE & SOLUTION PARTNER

Small Enclosures SE1



SMALL ENCLOSURES

- Minimum Size in mm
200 x 300 x 150 (WxHxD)
- Maximum Size in mm
1200 x 1200 x 350 (WxHxD)
- IP55/IP52 Degree of protection
- Wide range of accessories
- Secured CAM Locking arrangement
- Single/Double Door variants
- 23 Different sizes

FEATURES:

- Wide Door Opening 120 Degree
- Powder coated surface (RAL 7035) for excellent finish and durability.
- PU Gasket ensuring higher degree of ingress protection.
- Manufactured on Laser CNC cutting machine for higher Precision, Finish and repeated accuracy.
- Extra sheet thickness for sturdiness.
- Accommodate in less space.
- Ideal for:
 - i. Special Purpose Machines
 - ii. Small/Big Industries
 - iii. Any Harsh Environment

GENERAL TECHNICAL SPECIFICATIONS:

- IP55/IP52 Degree of protection.
- Fabricated from 1.6/2.0mm CRCA (Sizes up to SE120503CJD Made from 1.6mm CRCA, Beyond this using 2.0mm CRCA)
- PU Gasket for Higher degree of Protection
- Mounting plate 2.0mm Galvanized finish.
- CAM Locking arrangement.
- Powder coated to RAL-7035 Structure finish.
- Concealed Hinge design allows 120 Degree door opening.
- 3 Point Door locking arrangement provided for bigger sizes.

NOTE: UP TO 800MM WIDTH SINGLE DOOR

1000MM & 1200MM WIDTH DOUBLE LEAF DOOR

⇒ **Material:**

Sheet steel

CR2 (Cold Rolled) as per IS 513

HR28 (Hot Rolled) as per IS 2062

⇒ **Surface Finish:**

Enclosure and door : Powder coated in textured RAL 7035

Mounting Plate: Zinc-plated galvanized sheet

⇒ **Protection:**

IP55 /IP52

(Sr. No. 1 to 15-IP55 & 16 to 23-IP52)

⇒ **Supply includes:**

Enclosure with door, gland plate, door with hinges, cam locks, mounting plate.

Up to Sr. No. 8 wall mounting brackets included, after that it is optional to choose either plinth or wall mounting brackets.

NOTE:

Special sizes available on request.

Compact/Small Enclosures SE1:

Sr. No.	Part No	Size in mm	Variant
1	SE12020301ACJD	200Wx300Hx150D	Single Door (IP55)
2	SE12030302CJD	300Wx300Hx200D	
3	SE12030402CJD	300Wx400Hx200D	
4	SE12040402CJD	400Wx400Hx200D	
5	SE12040602CJD	400Wx600Hx200D	
6	SE12050403EHD	500Wx400Hx300D	
7	SE12050503CJD	500Wx500Hx300D	
8	SE12060403EJD	600Wx400Hx300D	
9	SE12060603EJD	600Wx600Hx300D	
10	SE12060803EJD	600Wx800Hx300D	
11	SE12080403EJD	800Wx400Hx300D	
12	SE12080803EJD	800Wx800Hx300D	
13	SE12081003EJD	800Wx1000Hx300D	
14	SE12081003AEJD	800Wx1000Hx350D	
15	SE12081203AEJD	800Wx1200Hx350D	
16	SE12100803EHD	1000Wx800Hx300D	Double Leaf Door (IP52)
17	SE12100803AEHD	1000Wx800Hx350D	
18	SE12101003EHD	1000Wx1000Hx300D	
19	SE12101203EHD	1000Wx1200Hx300D	
20	SE12101403EHD	1000Wx1400Hx300D	
21	SE12120603AEHD	1200Wx600Hx350D	
22	SE12120803EHD	1200Wx800Hx300D	
23	SE12121203AEHD	1200Wx1200Hx350D	

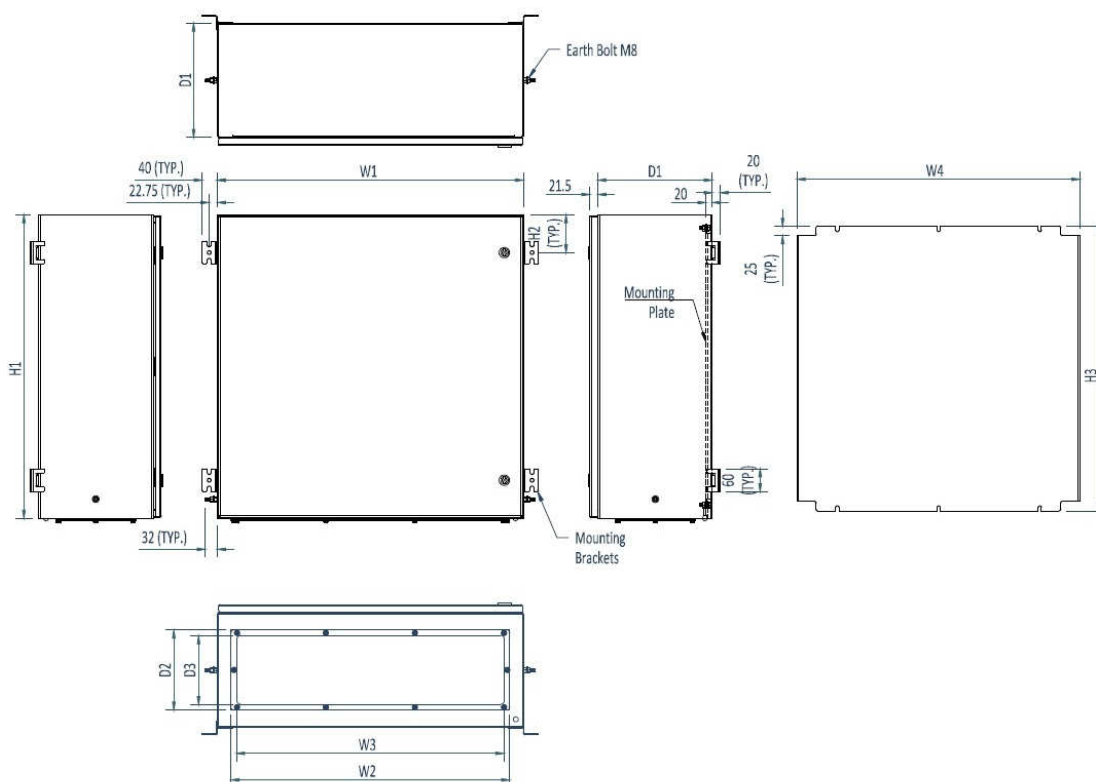
Plinth (for SE1 Enclosures):

Sr. No.	Part No	Size in mm W x H x D	
1	AWPH06xx03HRG	600Wx100Hx300D	Optional
2	AWPH08xx03HRG	800Wx100Hx300D	
3	AWPH10xx03HRG	1000Wx100Hx300D	
4	AWPH12xx03HRG	1200Wx100Hx300D	
5	AWPH06xx035HRG	600Wx100Hx350D	
6	AWPH08xx035HRG	800Wx100Hx350D	
7	AWPH10xx035HRG	1000Wx100Hx350D	
8	AWPH12xx035HRG	1200Wx100Hx350D	

Wall Mounting Bracket (for SE1 Enclosures):

Sr. No.	Part No	Size in mm Height	
1	AWEBxx12xxHRG	600H, 800H, 1000H & 1200H	Optional
2	AWEBxx14xxHRG	1400H	

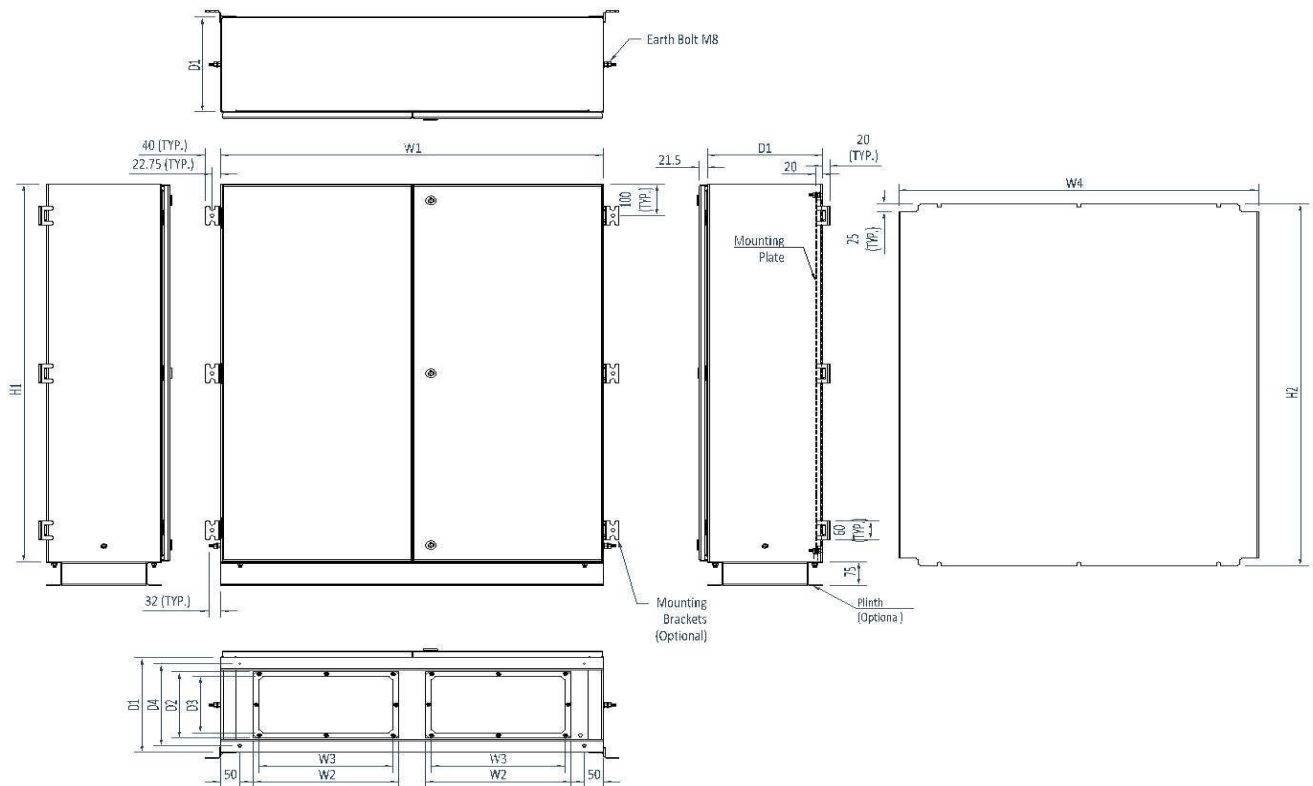
SE1 Dimensions:



Compact/Small Enclosures SE1 (Single Door Variants):

Sr. No.	Part No	Outer Dimensions			Inner Dimensions						
		W1	H1	D1	W2	W3	W4	H2	H3	D2	D3
1	SE12020301ACJD	200	300	150	150	130	150	50	250	105	75
2	SE12030302CJD	300	300	200	250	230	250	50	250	130	100
3	SE12030402CJD	300	400	200	250	230	250	50	350	130	100
4	SE12040402CJD	400	400	200	350	330	350	50	350	130	100
5	SE12040602CJD	400	600	200	350	330	350	50	550	130	100
6	SE12050403EHD	500	400	300	450	420	450	80	350	210	180
7	SE12050503CJD	500	500	300	450	420	450	50	450	210	180
8	SE12060403EJD	600	400	300	530	500	540	80	350	210	180
9	SE12060603EJD	600	600	300	530	500	540	100	550	210	180
10	SE12060803EJD	600	800	300	530	500	540	100	750	210	180
11	SE12080803EJD	800	800	300	730	700	740	100	750	210	180
12	SE12081003AEJD	800	1000	350	730	700	740	100	950	260	230
13	SE12080403EJD	800	400	300	730	700	740	80	350	210	180
14	SE12081003EJD	800	1000	300	730	700	740	100	950	210	180
15	SE12081203AEJD	800	1200	350	730	700	740	100	1150	260	230

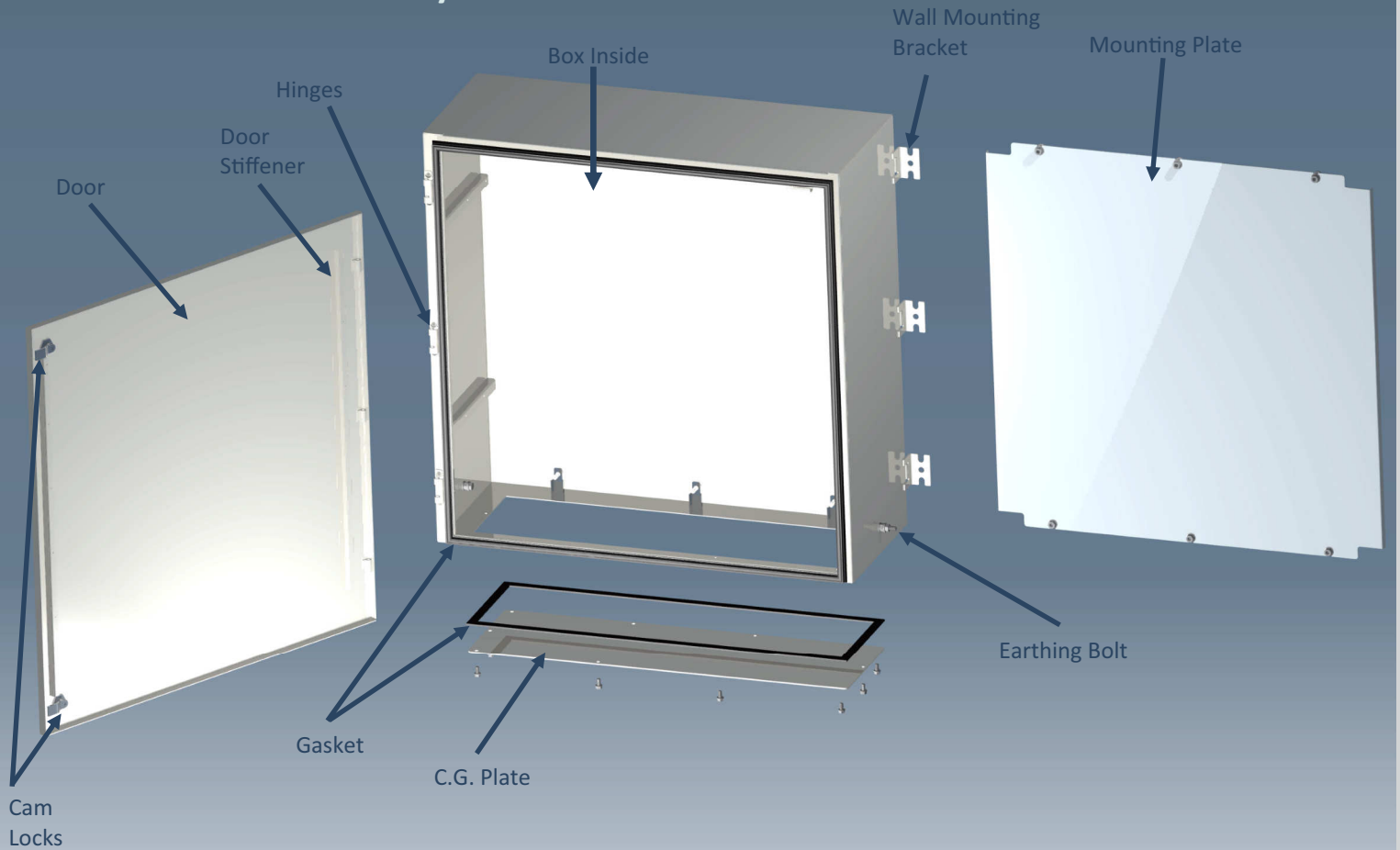
SE1 Dimensions:



Compact/Small Enclosures SE1 (Double Door Variants):

Sr. No.	Part No	Outer Dimensions			Inner Dimensions						
		W1	H1	D1	W2	W3	W4	H2	D2	D3	D4
16	SE12100803EHD	1000	800	300	380	350	940	750	210	180	260
17	SE12100803AEHD	1000	800	350	380	350	940	750	260	230	310
18	SE12101003EHD	1000	1000	300	380	350	940	950	210	180	260
19	SE12101203EHD	1000	1200	300	380	350	940	1150	210	180	260
20	SE12101403EHD	1000	1400	300	380	350	940	1350	210	180	260
21	SE12120603AEHD	1200	600	350	480	450	1140	550	260	230	310
22	SE12120803EHD	1200	800	300	480	450	1140	750	210	180	260
23	SE12121203AEHD	1200	1200	350	480	450	1140	1150	260	230	310

Small Enclosure Assembly



Industrial Enclosures

M/s Automation Engineers A.B. Pvt. Ltd.

Sales Off.: Plot No. A-69, Sector-83,
Phase-II, Noida (Behind Hosiery
Complex) U.P. 201305

Email: info@aeab.in, Website: www.aeab.in